

# 19" SAFEBOX-B IP55 Indoor-Outdoor Cabinets



# 19" SAFEBOX-B IP55

## Indoor Wall Mounting Cabinets

The SAFEBOX-B IP55 Indoor Wall Mounting Cabinets are designed for industrial applications. Based on EN 60529 provided IP55 protection class against dust and water ingress. The enclosure provides IP55 protection against dust and water, with fan and filter integration performance to IP54. Application areas are semi-open areas like factories, warehouses, lean to roof conditions, where no direct rain and environmental affect the cabinet.

### Features

- Monoblock welded construction, with polyester type powder coating which is RAL 7035 Light Grey colour.
- 7U and 9U models contain single point turn locking system and 12U and 16U models contain a double single point turn locking system. The lock systems accommodate a central cylinder lock which unlocks with a cylindrical key.
- Shipping configuration accommodates 2 pieces 1 set 19" equipment mounting rails.
- The base of the cabinet is equipped with a filtered air inlet and 4 x PG21 cable entry compatible blind plugs. Top part is filtered for passive ventilation and hot air exhaust. If required, the filters can be replaced with fan or a thermostat switched single fan can be included to shipment as an accessory.
- Wall mounting brackets are included, as mounting applications vary wall mounting screws are not included with shipment. An earth cable is included for grounding between main body and front door.
- Metal front door with polyurethane sealing gasket provides EN 60529 IP54/IP55 class protection. IP class can be upgraded to IP66 by replacing fan ventilation slots with cover plates to seal ventilation cut outs.
- Maximum load capacity is 300 kgs on the wall and 800 kgs on the ground.
- As an option the cabinet can be floor mounted by using a plinth. Manufactured in width W:600 mm; depth D:300 mm / 450 mm / 600 mm; height H:7U-9U-12U-16U.
- An internal rear mounting plate can be purchased as an optional extra for mounting industrial or electrical equipments when 19" mounting is not required.
- Manufactured only with single skin option. Please check other product groups for double skin cabinets.

### Standards

- ISO 9001
- TSE: EN 61587-1 mechanical structures for electronic equipment - Tests for EN IEC 60917 and EN IEC 60297 series
- Climatic and environment: EN 61587-1/4.2, IEC 60068-2-1, IEC 60068-2-2, IEC 60068-2-30
- EIA/ ECA-310 ( D/E) 19" 482,6mm and U 44,45mm Height Sizing
- Static mechanical load lifting: EN 61587-1/5.2.1
- Static mechanical load stiffness: EN 61587-1/5.2.2
- Dynamic mechanical load vibration and shock, impact: EN 61587-1/5.3.1, EN 61587-1/5.3.3, IEC 60068- 2-6, IEC 60068-2-27
- Earth bond: EN 61587-1/6.2
- Flammability: EN 61587-1/6.3
- IP protection class (IP code): IP55, EN 61587-1/6.4 and EN 60529
- IP protection class (IK code): IK10; EN 62262

### Standard Color:



RAL 7035 Light Grey



# 19" SAFEBOX-B IP55

## Indoor Wall Mounting Cabinets

### SAFEBOX-B IP55 Indoor Cabinets W:600 mm D:300 mm

Product Number	Series	Description	Width (mm)	Depth (mm)	Height (mm)	Cable Entry (QTY)	Lock (QTY)
LN-ESI-IP5507U6030-LG	SAFEBOX-B Series	7U 19" Indoor SAFEBOX-B IP55 Wall Mounting Cabinet W=600 mm D=300 mm	600	300	411	4	1
LN-ESI-IP5509U6030-LG	SAFEBOX-B Series	9U 19" Indoor SAFEBOX-B IP55 Wall Mounting Cabinet W=600 mm D=300 mm	600	300	500	4	1
LN-ESI-IP5512U6030-LG	SAFEBOX-B Series	12U 19" Indoor SAFEBOX-B IP55 Wall Mounting Cabinet W=600 mm D=300 mm	600	300	633	4	2
LN-ESI-IP5516U6030-LG	SAFEBOX-B Series	16U 19" Indoor SAFEBOX-B IP55 Wall Mounting Cabinet W=600 mm D=300 mm	600	300	811	4	2

### SAFEBOX-B IP55 Indoor Cabinets W:600 mm D:450 mm

Product Number	Series	Description	Width (mm)	Depth (mm)	Height (mm)	Cable Entry (QTY)	Lock (QTY)
LN-ESI-IP5507U6045-LG	SAFEBOX-B Series	7U 19" Indoor SAFEBOX-B IP55 Wall Mounting Cabinet W=600 mm D=450 mm	600	450	411	4	1
LN-ESI-IP5509U6045-LG	SAFEBOX-B Series	9U 19" Indoor SAFEBOX-B IP55 Wall Mounting Cabinet W=600 mm D=450 mm	600	450	500	4	1
LN-ESI-IP5512U6045-LG	SAFEBOX-B Series	12U 19" Indoor SAFEBOX-B IP55 Wall Mounting Cabinet W=600 mm D=450 mm	600	450	633	4	2
LN-ESI-IP5516U6045-LG	SAFEBOX-B Series	16U 19" Indoor SAFEBOX-B IP55 Wall Mounting Cabinet W=600 mm D=450 mm	600	450	811	4	2

### SAFEBOX-B IP55 Indoor Cabinets W:600 mm D:600 mm

Product Number	Series	Description	Width (mm)	Depth (mm)	Height (mm)	Cable Entry (QTY)	Lock (QTY)
LN-ESI-IP5507U6060-LG	SAFEBOX-B Series	7U 19" Indoor SAFEBOX-B IP55 Wall Mounting Cabinet W=600 mm D=600 mm	600	600	411	4	1
LN-ESI-IP5509U6060-LG	SAFEBOX-B Series	9U 19" Indoor SAFEBOX-B IP55 Wall Mounting Cabinet W=600 mm D=600 mm	600	600	500	4	1
LN-ESI-IP5512U6060-LG	SAFEBOX-B Series	12U 19" Indoor SAFEBOX-B IP55 Wall Mounting Cabinet W=600 mm D=600 mm	600	600	633	4	2
LN-ESI-IP5516U6060-LG	SAFEBOX-B Series	16U 19" Indoor SAFEBOX-B IP55 Wall Mounting Cabinet W=600 mm D=600 mm	600	600	811	4	2

### Thermostat Switched Analog Fan Module - 220 V AC

Product Number	Series	Description	Dimensions WxDxH mm
LN-FAN-THM-1FSBE-LG	Accessory	Thermostat switched single fan module for SAFEBOX-B wall mounting cabinets, filtered	495x175x50
LN-FAN-THM-2FSBE-LG	Accessory	Thermostat switched double fan module for SAFEBOX-B wall mounting cabinets, filtered	495x175x50

### Ground Applications - H:100 mm Plinth

Product Number	Series	Description	Dimensions WxDxH mm
LN-PLNTH-D30-LG	Accessory	Plinth H100mm W600xD300 mm for SAFEBOX-B Cabinets RAL 7035 Light Grey	600x300x100
LN-PLNTH-D45-LG	Accessory	Plinth H100mm W600xD450 mm for SAFEBOX-B Cabinets RAL 7035 Light Grey	600x450x100
LN-PLNTH-D60-LG	Accessory	Plinth H100mm W600xD600 mm for SAFEBOX-B Cabinets RAL 7035 Light Grey	600x600x100

### Mounting Plates for SAFEBOX-B Cabinets

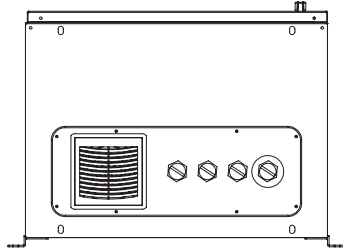
Product Number	Series	Description	Dimensions WxDxH mm
LN-TS-07U-SBE-ZN	Accessory	7U mounthing plate, for industrial eqiptment mounting to the back panel of SAFEBOX-B cabinet - zinc coated	t1,0 mm H350 W575 mm
LN-TS-09U-SBE-ZN	Accessory	9U mounthing plate, for industrial eqiptment mounting to the back panel of SAFEBOX-B cabinet - zinc coated	t1,0 mm H440 W575 mm
LN-TS-12U-SBE-ZN	Accessory	12U mounthing plate, for industrial equipment mounting to the back panel of SAFEBOX-B cabinet - zinc coated	t1,0 mm H570 W575 mm
LN-TS-16U-SBE-ZN	Accessory	16U mounthing plate, for industrial equipment mounting to the back panel of SAFEBOX-B cabinet - zinc coated	t1,0 mm H748 W575 mm

To be mounted to tahe back panel of the cabinet - Allows industrial equipment - electrical components - DIN rails mounting.

# 19" SAFEBOX-B IP55

## Indoor Wall Mounting Cabinets

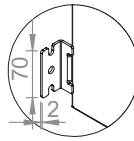
### Technical Drawings



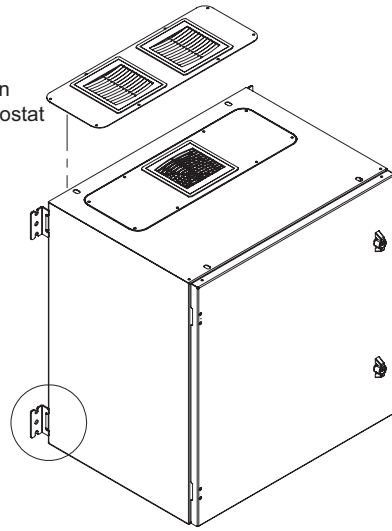
Bottom view



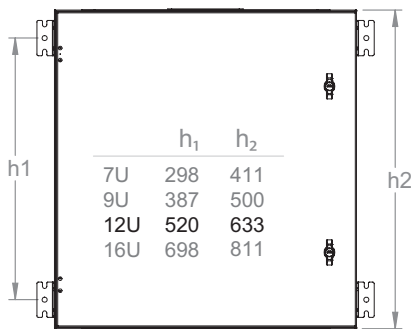
Blind plugs compatible with PG21



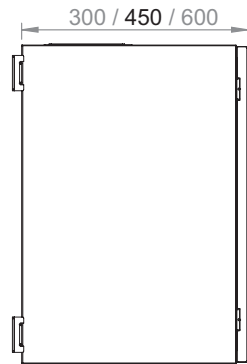
Accessory option  
2 fan with thermostat fan module



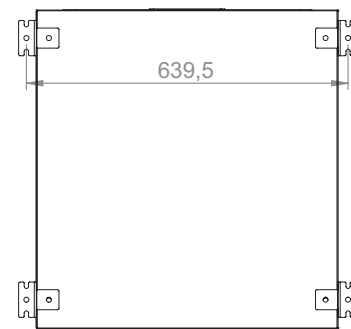
Isometric view



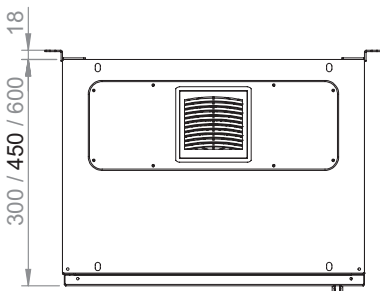
Front view



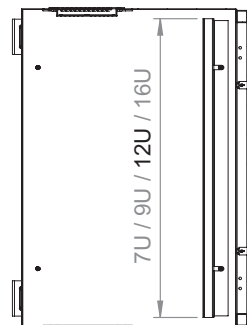
Side view



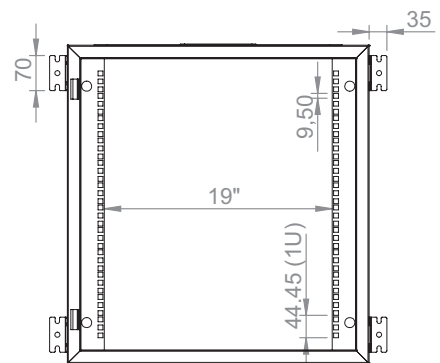
Rear view



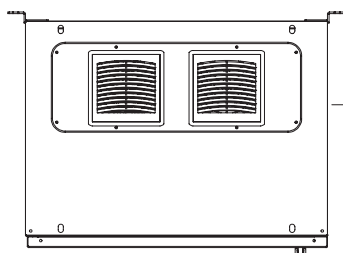
Top view



Interior view - side



Interior view - front

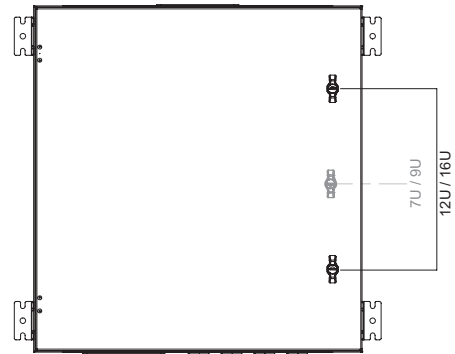
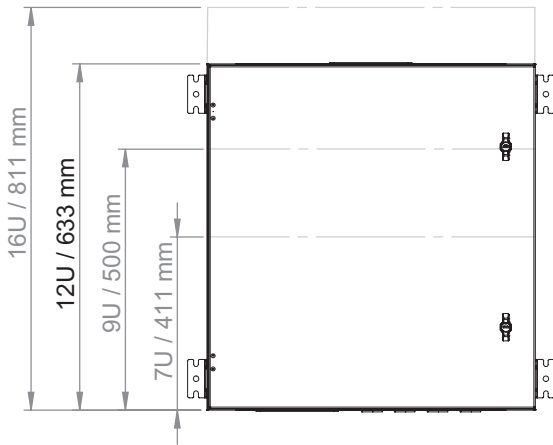
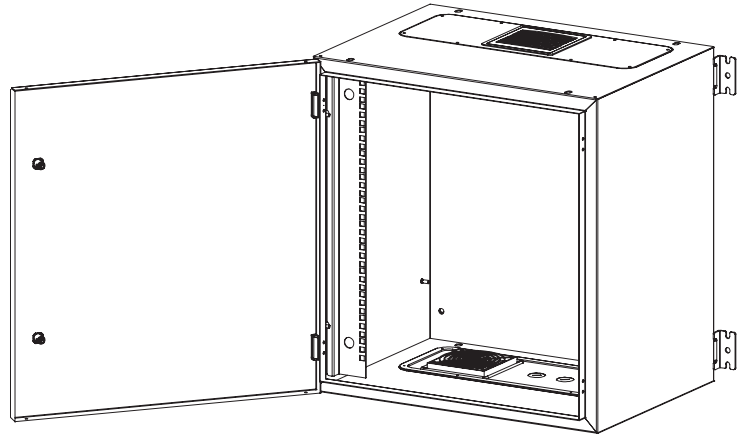
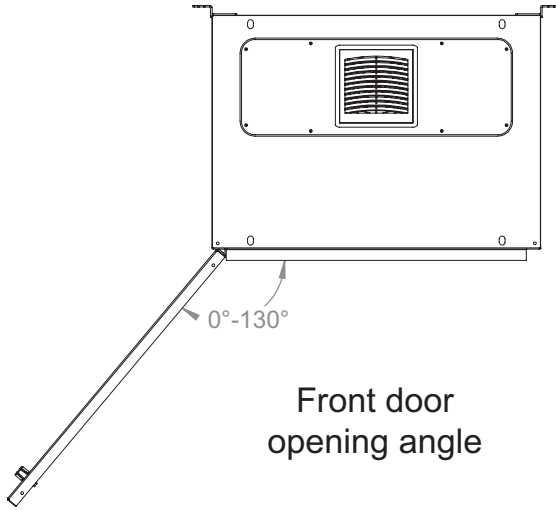


Accessory option  
2 fan with thermostat fan module

# 19" SAFEBOX-B IP55

## Indoor Wall Mounting Cabinets

### Technical Drawings

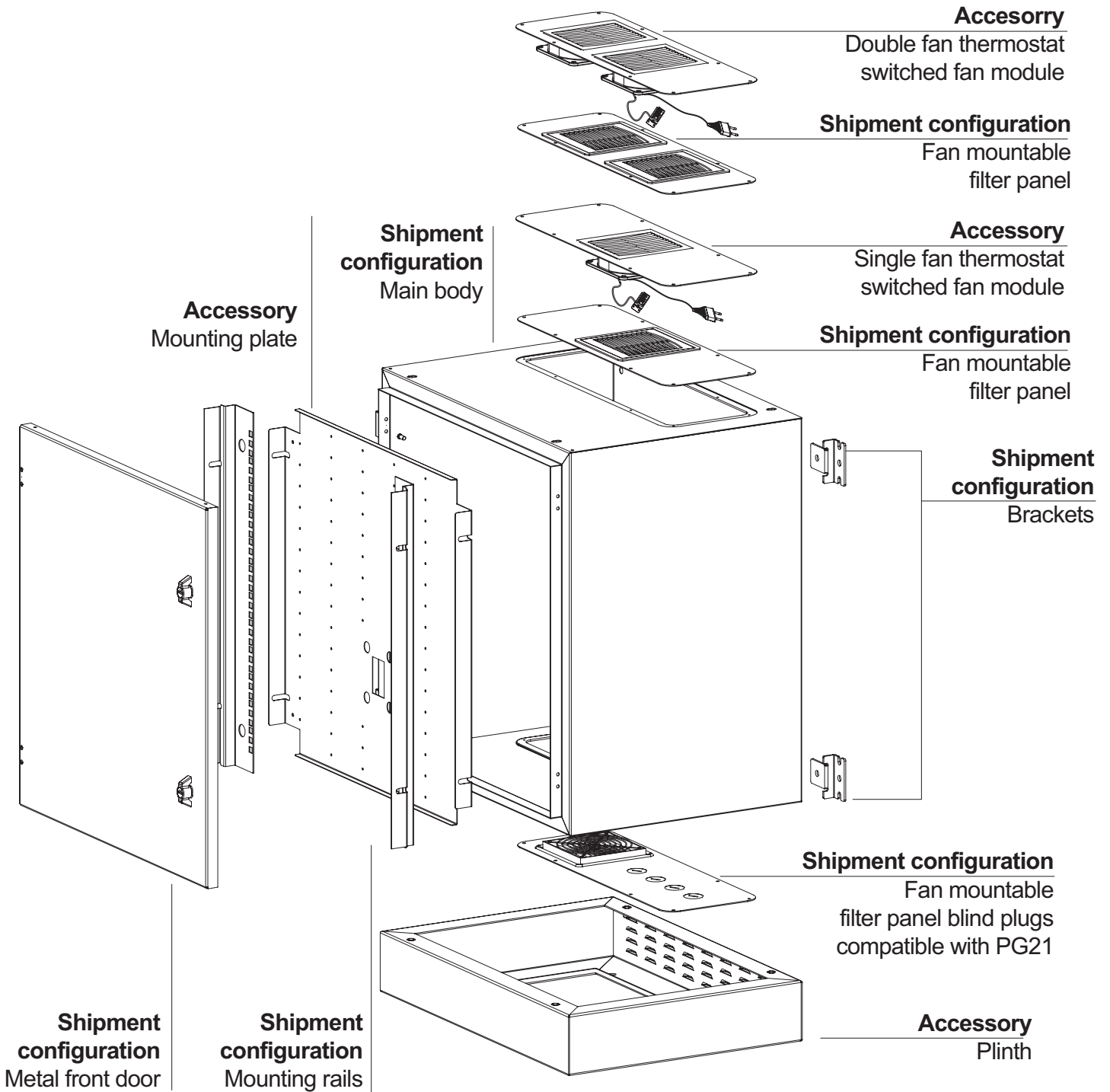


# 19" SAFEBOX-B IP55

## Indoor Wall Mounting Cabinets

### Construction Drawings

#### INDOOR CABINETS SHIPMENT CONFIGURATION and OPTIONAL ACCESSORIES



Exploded view

# 19" SAFEBOX-B IP55

## Outdoor Single and Double Skin Cabinets

The SAFEBOX-B IP55 Outdoor Cabinets are designed for industrial applications. Based on EN 60529 provided IP55 protection class against dust and water ingress. With fan and filter integration, enclosure provides IP54 protection against dust and water. Enclosure provides protection against extraneous objects (things that might fall in, dust carried by wind) and water (rain, slush, snow, bluish) which might damage the internal equipment.

### Features

- Monoblock welded construction, with polyester type powder coating which is RAL 7035 Light Grey colour.
- 7U and 9U models contain single point turn locking system and 12U and 16U models contain a double single point turn locking system. The lock systems accommodate a central cylinder lock which unlocks with a cylindrical key.
- Shipping configuration accommodates 2 pieces 1 set 19" equipment mounting rails.
- The base of the cabinet is equipped with a filtered air inlet and 4 x PG21 cable entry compatible blind plugs. Top part is filtered for passive ventilation and hot air exhaust. If required, the filters can be replaced with fan or a thermostat switched single fan can be included to shipment as an accessory. Model also contains a roof canopy with gasket for dust and liquid protection.
- Wall mounting brackets are included, as mounting applications vary wall mounting screws are not in the shipping configuration because they can vary depending on the mounting area. Single yellow/green cable for grounding between main body and front door is included.
- Metal front door with polyurethane sealing gasket provides EN 60529 IP54/IP55 class protection. IP class can be upgraded to IP66 by replacing fan ventilation slots with cover plates to seal ventilation cut outs.
- Maximum load capacity is 300 kgs on the wall and 800 kgs on the ground.
- As an option the cabinet can be floor mounted by using a plinth. If required, pole mounting kit can be ordered for 4-6" diameter poles.
- Manufactured in width W: 600 mm; depth D:300 mm / 450 mm / 600 mm; height H: 7U-9U-12U-16U.
- An internal rear mounting plate can be purchased as an optional extra for mounting industrial or electrical equipments when 19" mounting is not required. This accessory is available for standard shipment configuration, not available for double skin cabinets.
- Manufactured with single and double skin options.

### Standards

- ISO 9001
- TSE: EN 61587-1 mechanical structures for electronic equipment - Tests for EN IEC 60917 and EN IEC 60297 series
- Climatic and environment: EN 61587-1/4.2, IEC 60068-2-1, IEC 60068-2-2, IEC 60068-2-30
- EIA/ ECA-310 ( D/E) 19" 482,6mm and U 44,45mm Height Sizing
- Static mechanical load lifting: EN 61587-1/5.2.1
- Static mechanical load stiffness: EN 61587-1/5.2.2
- Dynamic mechanical load vibration and shock, impact: EN 61587-1/5.3.1, EN 61587-1/5.3.3, IEC 60068- 2-6, IEC 60068-2-27
- Earth bond: EN 61587-1/6.2
- Flammability: EN 61587-1/6.3
- IP protection class (IP code): IP55, EN 61587-1/6.4 and EN 60529
- IK protection class (IK code): IK10; EN 62262

### Standard Color:



RAL 7035 Light Grey



# 19" SAFEBOX-B IP55

## Outdoor Single Skin Cabinets

### SAFEBOX-B IP55 Outdoor Single Skin Cabinets W:600 mm D:300 mm

Product Number	Series	Description	Width (mm)	Depth (mm)	Height (mm)	Cable Entry (QTY)	Lock (QTY)
LN-ESO-IP5507U6030-LG	SAFEBOX-B Series	7U 19" Outdoor Single Skin SAFEBOX-B IP55 Wall Mounting Cabinet W=600 mm D=300 mm	600	300	471	4	1
LN-ESO-IP5509U6030-LG	SAFEBOX-B Series	9U 19" Outdoor Single Skin SAFEBOX-B IP55 Wall Mounting Cabinet W=600 mm D=300 mm	600	300	560	4	1
LN-ESO-IP5512U6030-LG	SAFEBOX-B Series	12U 19" Outdoor Single Skin SAFEBOX-B IP55 Wall Mounting Cabinet W=600 mm D=300 mm	600	300	693	4	2
LN-ESO-IP5516U6030-LG	SAFEBOX-B Series	16U 19" Outdoor Single Skin SAFEBOX-B IP55 Wall Mounting Cabinet W=600 mm D=300 mm	600	300	871	4	2

### SAFEBOX-B IP55 Outdoor Single Skin Cabinets W:600 mm D:450 mm

Product Number	Series	Description	Width (mm)	Depth (mm)	Height (mm)	Cable Entry (QTY)	Lock (QTY)
LN-ESO-IP5507U6045-LG	SAFEBOX-B Series	7U 19" Outdoor Single Skin SAFEBOX-B IP55 Wall Mounting Cabinet W=600 mm D=450 mm	600	450	471	4	1
LN-ESO-IP5509U6045-LG	SAFEBOX-B Series	9U 19" Outdoor Single Skin SAFEBOX-B IP55 Wall Mounting Cabinet W=600 mm D=450 mm	600	450	560	4	1
LN-ESO-IP5512U6045-LG	SAFEBOX-B Series	12U 19" Outdoor Single Skin SAFEBOX-B IP55 Wall Mounting Cabinet W=600 mm D=450 mm	600	450	693	4	2
LN-ESO-IP5516U6045-LG	SAFEBOX-B Series	16U 19" Outdoor Single Skin SAFEBOX-B IP55 Wall Mounting Cabinet W=600 mm D=450 mm	600	450	871	4	2

### SAFEBOX-B IP55 Outdoor Single Skin Cabinets W:600 mm D:600 mm

Product Number	Series	Description	Width (mm)	Depth (mm)	Height (mm)	Cable Entry (QTY)	Lock (QTY)
LN-ESO-IP5507U6060-LG	SAFEBOX-B Series	7U 19" Outdoor Single Skin SAFEBOX-B IP55 Wall Mounting Cabinet W=600 mm D=600 mm	600	600	471	4	1
LN-ESO-IP5509U6060-LG	SAFEBOX-B Series	9U 19" Outdoor Single Skin SAFEBOX-B IP55 Wall Mounting Cabinet W=600 mm D=600 mm	600	600	560	4	1
LN-ESO-IP5512U6060-LG	SAFEBOX-B Series	12U 19" Outdoor Single Skin SAFEBOX-B IP55 Wall Mounting Cabinet W=600 mm D=600 mm	600	600	693	4	2
LN-ESO-IP5516U6060-LG	SAFEBOX-B Series	16U 19" Outdoor Single Skin SAFEBOX-B IP55 Wall Mounting Cabinet W=600 mm D=600 mm	600	600	871	4	2

### Thermostat Switched Analog Fan Module - 220 V AC

Product Number	Series	Description	Dimensions WxDxH mm
LN-FAN-THM-1FSBE-LG	Accessory	Thermostat switched single fan module for SAFEBOX-B wall mounting cabinets, filtered	495x175x50
LN-FAN-THM-2FSBE-LG	Accessory	Thermostat switched double fan module for SAFEBOX-B wall mounting cabinets, filtered	495x175x50

### Ground Applications - H:100 mm Plinth

Product Number	Series	Description	Dimensions WxDxH mm
LN-SBO-PL-KIT-ZN	Accessory	Pole Mounting Kit, for 4-6" diameter poles, galvanized	598x204x80
LN-PLNTH-D30-LG	Accessory	Plinth H100mm W600xD300mm for SAFEBOX-B cabinets RAL 7035 Light Grey	600x300x100
LN-PLNTH-D45-LG	Accessory	Plinth H100mm W600xD450mm for SAFEBOX-B cabinets RAL 7035 Light Grey	600x450x100
LN-PLNTH-D60-LG	Accessory	Plinth H100mm W600xD600mm for SAFEBOX-B cabinets RAL 7035 Light Grey	600x600x100

### Mounting Plates for SAFEBOX-B IP55 Outdoor Single Skin Cabinets

Product Number	Series	Description	Dimensions WxDxH mm
LN-TS-07U-SBE-ZN	Accessory	7U mounting plate, for industrial equipment mounting to the back panel of SAFEBOX-B cabinet - zinc coated	t1,0mm H350 W575mm
LN-TS-09U-SBE-ZN	Accessory	9U mounting plate, for industrial equipment mounting to the back panel of SAFEBOX-B cabinet - zinc coated	t1,0mm H440 W575mm
LN-TS-12U-SBE-ZN	Accessory	12U mounting plate, for industrial equipment mounting to the back panel of SAFEBOX-B cabinet - zinc coated	t1,0mm H570 W575mm
LN-TS-16U-SBE-ZN	Accessory	16U mounting plate, for industrial equipment mounting to the back panel of SAFEBOX-B cabinet - zinc coated	t1,0mm H570 W575mm

To be mounted to the back panel of the cabinet, allows industrial equipment, electrical components, DIN rails mounting.



# 19" SAFEBOX-B IP55

## Outdoor Double Skin Cabinets

### SAFEBOX-B IP55 Outdoor Double Skin Cabinets W:600 mm D:300 mm

Product Number	Series	Description	Width (mm)	Depth (mm)	Height (mm)	Cable Entry (QTY)	Lock (QTY)
LN-ESD-IP5507U6030-LG	SAFEBOX-B Series	7U 19" Outdoor Double Skin SAFEBOX-B IP55 Wall Mounting Cabinet W=600 mm D=300 mm	600	300	471	4	1
LN-ESD-IP5509U6030-LG	SAFEBOX-B Series	9U 19" Outdoor Double Skin SAFEBOX-B IP55 Wall Mounting Cabinet W=600 mm D=300 mm	600	300	560	4	1
LN-ESD-IP5512U6030-LG	SAFEBOX-B Series	12U 19" Outdoor Double Skin SAFEBOX-B IP55 Wall Mounting Cabinet W=600 mm D=300 mm	600	300	693	4	2
LN-ESD-IP5516U6030-LG	SAFEBOX-B Series	16U 19" Outdoor Double Skin SAFEBOX-B IP55 Wall Mounting Cabinet W=600 mm D=300 mm	600	300	871	4	2

### SAFEBOX-B IP55 Outdoor Double Skin Cabinets W:600 mm D:450 mm

Product Number	Series	Description	Width (mm)	Depth (mm)	Height (mm)	Cable Entry (QTY)	Lock (QTY)
LN-ESD-IP5507U6045-LG	SAFEBOX-B Series	7U 19" Outdoor Double Skin SAFEBOX-B IP55 Wall Mounting Cabinet W=600 mm D=450 mm	600	450	471	4	1
LN-ESD-IP5509U6045-LG	SAFEBOX-B Series	9U 19" Outdoor Double Skin SAFEBOX-B IP55 Wall Mounting Cabinet W=600 mm D=450 mm	600	450	560	4	1
LN-ESD-IP5512U6045-LG	SAFEBOX-B Series	12U 19" Outdoor Double Skin SAFEBOX-B IP55 Wall Mounting Cabinet W=600 mm D=450 mm	600	450	693	4	2
LN-ESD-IP5516U6045-LG	SAFEBOX-B Series	16U 19" Outdoor Double Skin SAFEBOX-B IP55 Wall Mounting Cabinet W=600 mm D=450 mm	600	450	871	4	2

### SAFEBOX-B IP55 Outdoor Double Skin Cabinets W:600 mm D:600 mm

Product Number	Series	Description	Width (mm)	Depth (mm)	Height (mm)	Cable Entry (QTY)	Lock (QTY)
LN-ESD-IP5507U6060-LG	SAFEBOX-B Series	7U 19" Outdoor Double Skin SAFEBOX-B IP55 Wall Mounting Cabinet W=600 mm D=600 mm	600	600	471	4	1
LN-ESD-IP5509U6060-LG	SAFEBOX-B Series	9U 19" Outdoor Double Skin SAFEBOX-B IP55 Wall Mounting Cabinet W=600 mm D=600 mm	600	600	560	4	1
LN-ESD-IP5512U6060-LG	SAFEBOX-B Series	12U 19" Outdoor Double Skin SAFEBOX-B IP55 Wall Mounting Cabinet W=600 mm D=600 mm	600	600	693	4	2
LN-ESD-IP5516U6060-LG	SAFEBOX-B Series	16U 19" Outdoor Double Skin SAFEBOX-B IP55 Wall Mounting Cabinet W=600 mm D=600 mm	600	600	871	4	2

### Thermostat Switched Analog Fan Module - 220 V AC

Product Number	Series	Description	Dimensions WxDxH mm
LN-FAN-THM-1FSBE-LG	Accessory	Thermostat switched single fan module for SAFEBOX-B wall mounting cabinets, filtered	495x175x50
LN-FAN-THM-2FSBE-LG	Accessory	Thermostat switched double fan module for SAFEBOX-B wall mounting cabinets, filtered	495x175x50

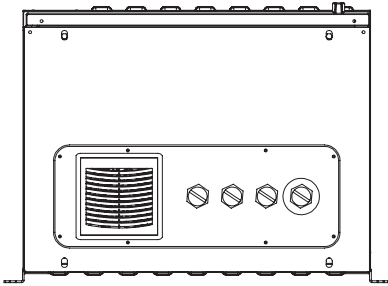
### Ground Applications - H:100 mm Plinth

Product Number	Series	Description	Dimensions WxDxH mm
LN-SBO-PL-KIT-ZN	Accessory	Pole Mounting Kit, for 4-6" diameter poles, galvanized	598x204x80
LN-PLNTH-D30-LG	Accessory	Plinth H100mm W600xD300mm for SAFEBOX-B cabinets RAL 7035 Light Grey	600x300x100
LN-PLNTH-D45-LG	Accessory	Plinth H100mm W600xD450mm for SAFEBOX-B cabinets RAL 7035 Light Grey	600x450x100
LN-PLNTH-D60-LG	Accessory	Plinth H100mm W600xD600mm for SAFEBOX-B cabinets RAL 7035 Light Grey	600x600x100

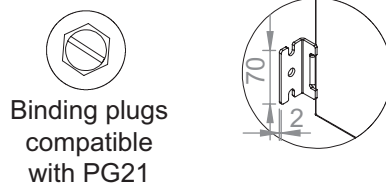
# 19" SAFEBOX-B IP55

## Outdoor Single and Double Skin Cabinets

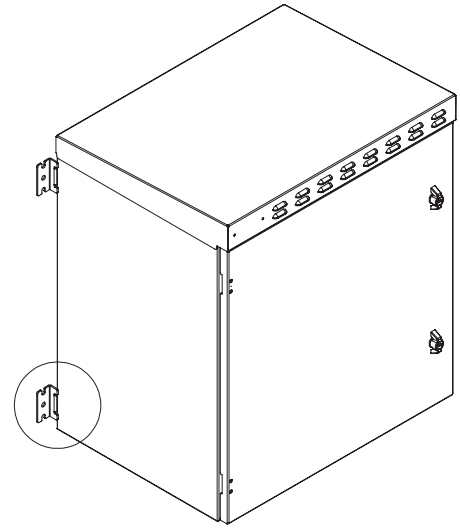
### Construction Drawings



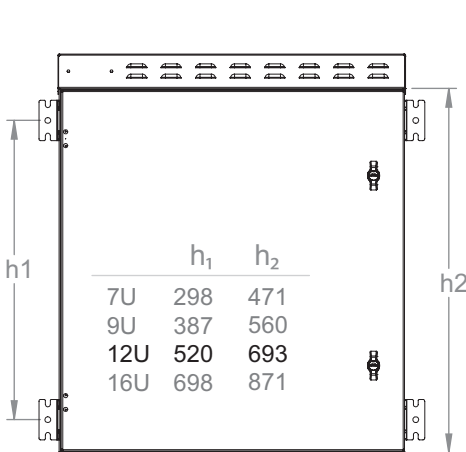
Bottom view



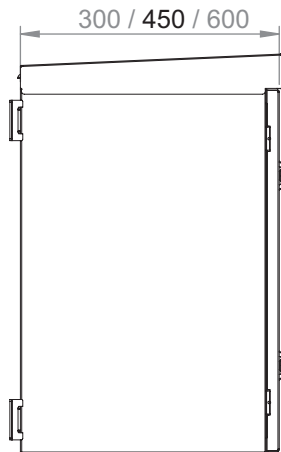
Binding plugs compatible with PG21



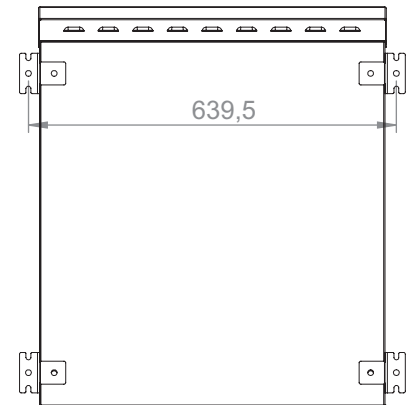
Isometric view



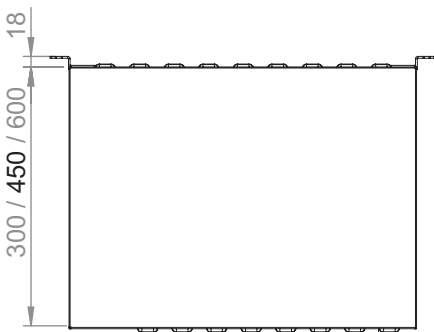
Front view



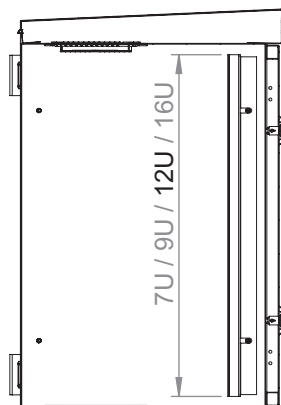
Side view



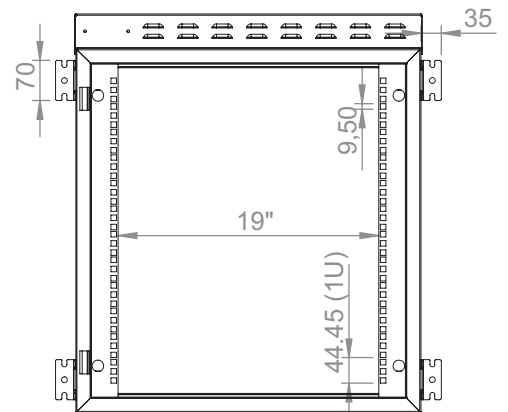
Rear view



Top view



Interior view - side

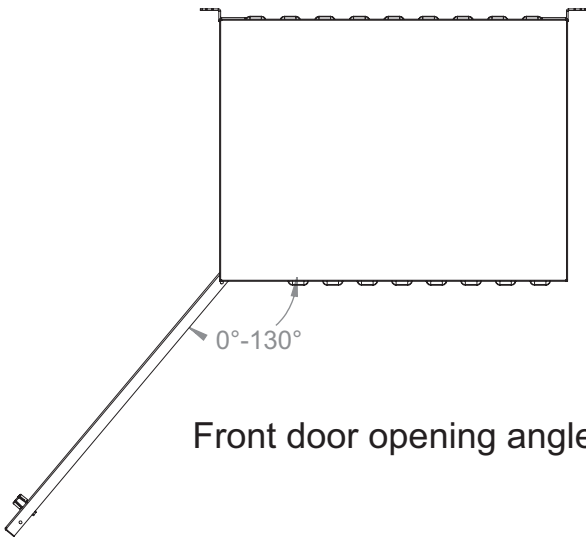


Interior view - front

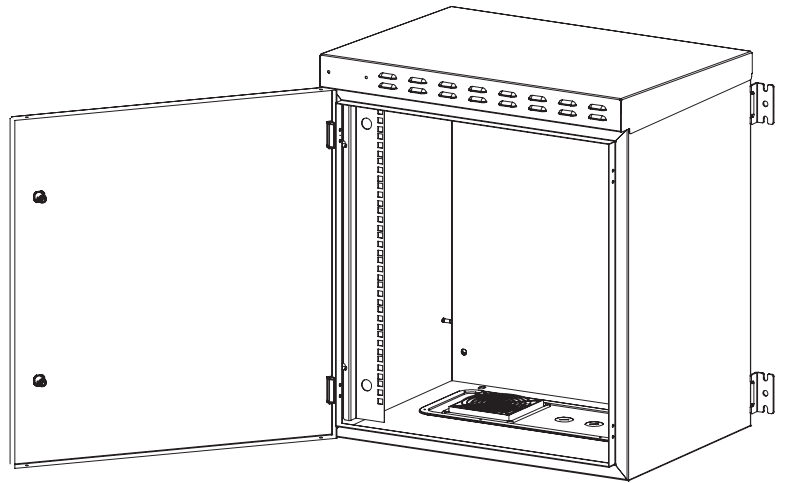
# 19" SAFEBOX-B IP55

## Outdoor Single and Double Skin Cabinets

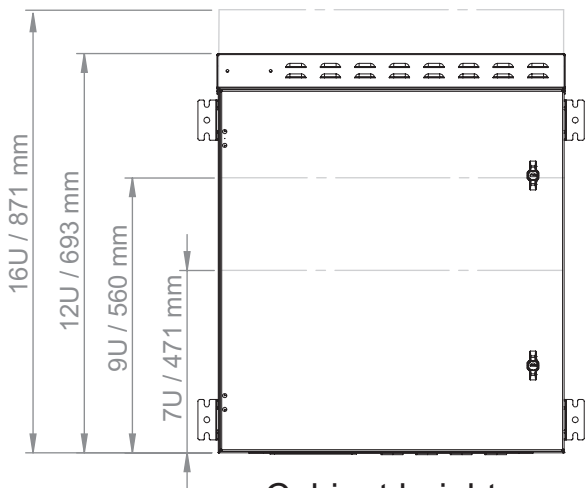
### Construction Drawings



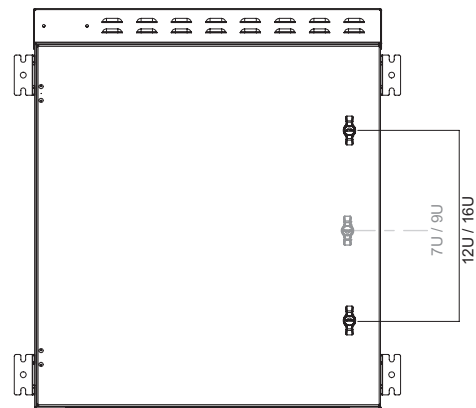
Front door opening angle



Isometric front door opened view



Cabinet heights



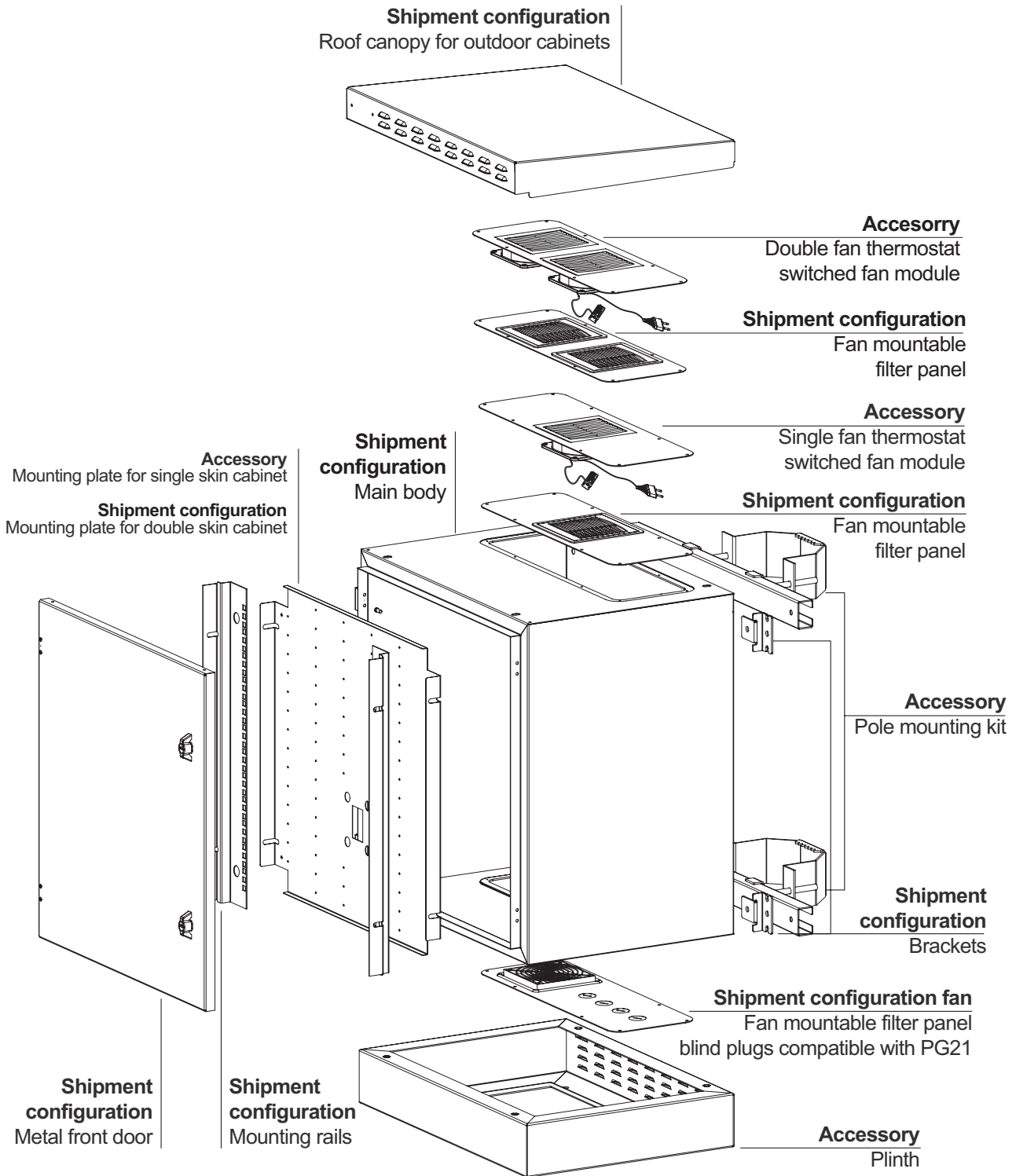
Lock quantities

# 19" SAFEBOX-B IP55

## Outdoor Single and Double Skin Cabinets

### Construction Drawings

#### OUTDOOR CABINETS SHIPMENT CONFIGURATION and OPTIONAL ACCESSORIES

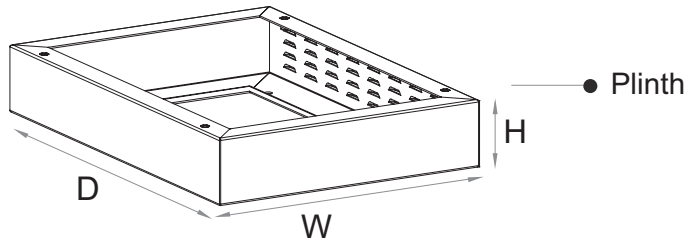


Exploded view

# 19" SAFEBOX-B IP55 Cabinets

## Accessories

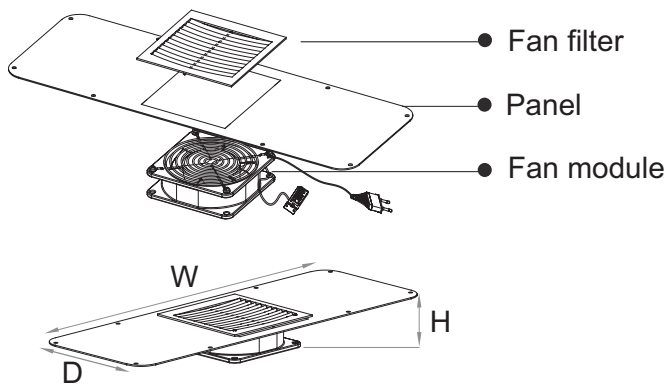
### ● Plinth



W x D x H mm / 600 x 300 x 100 mm  
450  
600



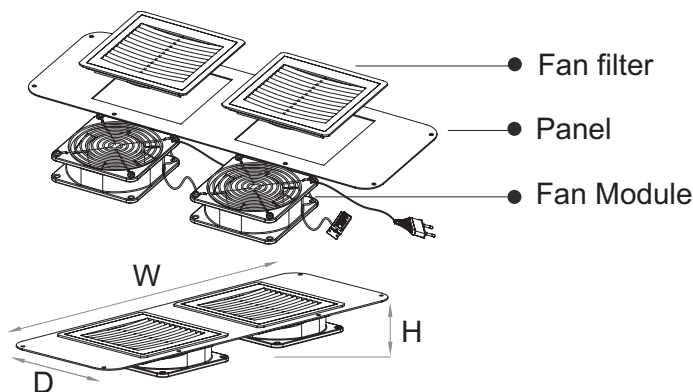
### ● Single fan module



W x D x H mm / 495 x 175 x 50 mm



### ● Double fan module



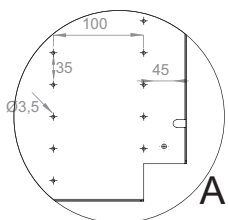
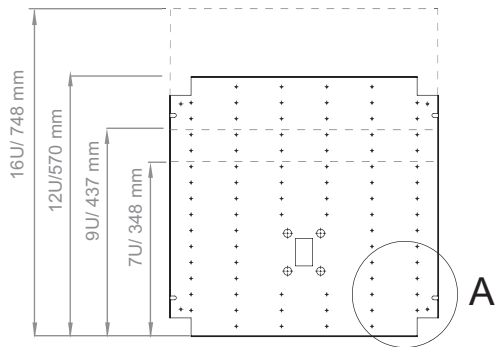
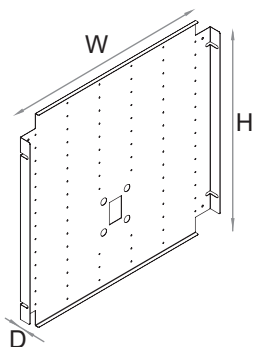
W x D x H mm / 495 x 175 x 50 mm



# 19" SAFEBOX-B IP55 Cabinets

## Accessories

### ● Mounting plate



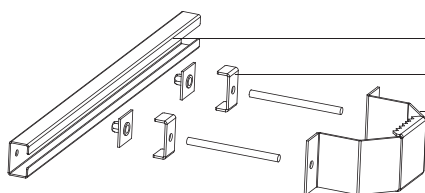
348	7U
437	9U
570	12U
748	16U

W x D x H mm / 595 x 41 x 570 mm

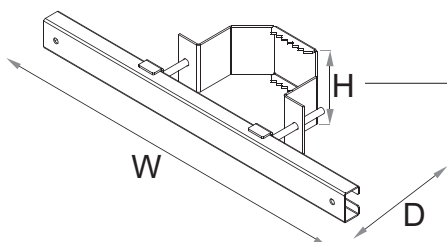
\* Mounting plate is available for single skin cabinets as an accessory. For double skin cabinets, mounting plate is already available in standard configuration.



### ● Pole mounting kit



- Rear mounting plate
- Fittings
- Pole bracket



- Compatible with 4-6" diameter poles

W x D x H mm / 598 x 204 x 80 mm



# 19" SAFEBOX-B IP55 Cabinets

## Logistic Information

Product Information: SAFEBOX-B IP55 Indoor Cabinets					Logistics Details - Packaging Dimensions			
Type	Product Number	Series	U Height	Depth (D) mm	Packaging Weight kgs.	Width (W) mm	Depth (D) mm	Height (H) mm
Indoor	LN-ESI-IP5507U6030-LG	SAFEBOX-B Series	7U	300	15,54	650	320	536
Indoor	LN-ESI-IP5509U6030-LG	SAFEBOX-B Series	9U	300	17,86	650	320	625
Indoor	LN-ESI-IP5512U6030-LG	SAFEBOX-B Series	12U	300	21,44	650	320	758
Indoor	LN-ESI-IP5516U6030-LG	SAFEBOX-B Series	16U	300	23,07	650	320	936
Indoor	LN-ESI-IP5507U6045-LG	SAFEBOX-B Series	7U	450	17,40	650	500	536
Indoor	LN-ESI-IP5509U6045-LG	SAFEBOX-B Series	9U	450	20,00	650	500	625
Indoor	LN-ESI-IP5512U6045-LG	SAFEBOX-B Series	12U	450	24,00	650	500	758
Indoor	LN-ESI-IP5516U6045-LG	SAFEBOX-B Series	16U	450	25,83	650	500	936
Indoor	LN-ESI-IP5507U6060-LG	SAFEBOX-B Series	7U	600	19,48	650	670	536
Indoor	LN-ESI-IP5509U6060-LG	SAFEBOX-B Series	9U	600	22,39	650	670	625
Indoor	LN-ESI-IP5512U6060-LG	SAFEBOX-B Series	12U	600	26,87	650	670	758
Indoor	LN-ESI-IP5516U6060-LG	SAFEBOX-B Series	16U	600	28,91	650	670	936

Product Information: SAFEBOX-B IP55 Outdoor Cabinets					Logistics Details - Packaging Dimensions			
Type	Product Number	Series	U Height	Depth (D) mm	Packaging Weight kgs.	Width (W) mm	Depth (D) mm	Height (H) mm
Outdoor	LN-ESO-IP5507U6030-LG	SAFEBOX-B Series	7U	300	18,76	650	320	542
Outdoor	LN-ESO-IP5509U6030-LG	SAFEBOX-B Series	9U	300	21,08	650	320	685
Outdoor	LN-ESO-IP5512U6030-LG	SAFEBOX-B Series	12U	300	24,65	650	320	818
Outdoor	LN-ESO-IP5516U6030-LG	SAFEBOX-B Series	16U	300	26,53	650	320	942
Outdoor	LN-ESO-IP5507U6045-LG	SAFEBOX-B Series	7U	450	23,30	650	500	542
Outdoor	LN-ESO-IP5509U6045-LG	SAFEBOX-B Series	9U	450	26,80	650	500	685
Outdoor	LN-ESO-IP5512U6045-LG	SAFEBOX-B Series	12U	450	27,60	650	500	818
Outdoor	LN-ESO-IP5516U6045-LG	SAFEBOX-B Series	16U	450	35,20	650	500	942
Outdoor	LN-ESO-IP5507U6060-LG	SAFEBOX-B Series	7U	600	28	650	670	542
Outdoor	LN-ESO-IP5509U6060-LG	SAFEBOX-B Series	9U	600	31,60	650	670	685
Outdoor	LN-ESO-IP5512U6060-LG	SAFEBOX-B Series	12U	600	35,50	650	670	818
Outdoor	LN-ESO-IP5516U6060-LG	SAFEBOX-B Series	16U	600	38,40	650	670	942

Product Information: SAFEBOX-B IP55 Outdoor Cabinets					Logistics Details - Packaging Dimensions			
Type	Product Number	Series	U Height	Depth (D) mm	Packaging Weight kgs.	Width (W) mm	Depth (D) mm	Height (H) mm
Outdoor	LN-ESD-IP5507U6030-LG	SAFEBOX-B Series	7U	300	24	650	320	542
Outdoor	LN-ESD-IP5509U6030-LG	SAFEBOX-B Series	9U	300	27,65	650	320	685
Outdoor	LN-ESD-IP5512U6030-LG	SAFEBOX-B Series	12U	300	32,63	650	320	818
Outdoor	LN-ESD-IP5516U6030-LG	SAFEBOX-B Series	16U	300	33	650	320	942
Outdoor	LN-ESD-IP5507U6045-LG	SAFEBOX-B Series	7U	450	38,93	650	500	542
Outdoor	LN-ESD-IP5509U6045-LG	SAFEBOX-B Series	9U	450	33,15	650	500	685
Outdoor	LN-ESD-IP5512U6045-LG	SAFEBOX-B Series	12U	450	35,8	650	500	818
Outdoor	LN-ESD-IP5516U6045-LG	SAFEBOX-B Series	16U	450	39,82	650	500	942
Outdoor	LN-ESD-IP5507U6060-LG	SAFEBOX-B Series	7U	600	35,46	650	670	542
Outdoor	LN-ESD-IP5509U6060-LG	SAFEBOX-B Series	9U	600	37,02	650	670	685
Outdoor	LN-ESD-IP5512U6060-LG	SAFEBOX-B Series	12U	600	43,8	650	670	818
Outdoor	LN-ESD-IP5516U6060-LG	SAFEBOX-B Series	16U	600	47,47	650	670	942



## CONTACT DETAILS

### Headquarters

**Address:**

Merve Mah. Gazi Cad. No: 17 **Phone:** +90 216 312 26 53 pbx  
Sancaktepe - İstanbul / TURKEY **Fax** : +90 216 312 09 09

### Factory

**Address:**

20. Cadde No: 14 Eskişehir **Phone:** +90 222 236 24 66 pbx  
Organize San. Bölge. 26110 **Fax** : +90 222 236 13 53  
Eskişehir / TURKEY

[www.lande.com.tr](http://www.lande.com.tr) | [sales@lande.com.tr](mailto:sales@lande.com.tr)

