



# *PROline Wall Mounting CABINETS*



### W=600mm PROline Series Wall Mounting Cabinets

PROline series Networking Enclosures/ Cabinets, designed for superior performance tested with 3 times higher load than nominal weight load capacity , Nominal weight load is 100kgs, tested with 300 kgs on wall. Therefore no any problem of carrying heavy telecom equipments, UPS and batteries rather than standard network technology equipments such as switches, patch panels and cables.

While product gives maximum performance on cabling and networking infrastructure, in parallel provides a very relative economy compared to its quality which is based on high technologic fully automated industry.

The 600x450mm, 600x600mm PROline Wall Cabinet series is available in 5 heights from 7U through to 20U, Each cabinet is supplied as standard with a glass front door, mechanically screwed steel rear panel and lift off steel side panels, all of which are lockable.

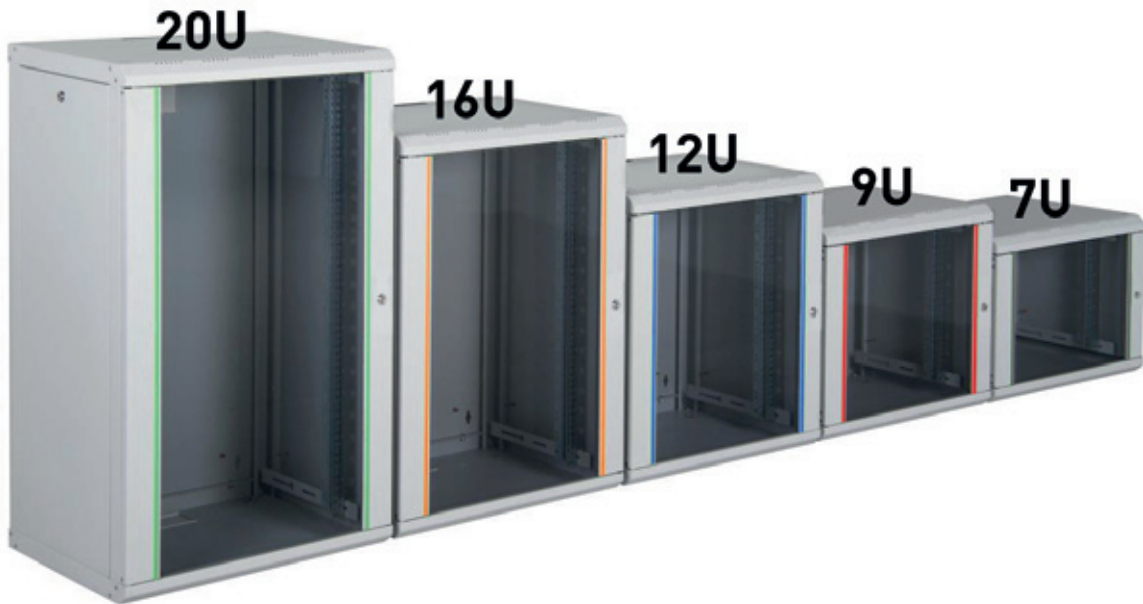
The wide product height portfolio meets any U requirement in infrastructure needs.

PROline series have a professional technical but aesthetic look with left/right frames on the glass front door; the product range attracts the attention with the mostly environmentally fit and selected color of RAL 9005 Black, and RAL 7035 Light Grey, with fine wrinkle soft touch paint.

Completely standard and stocked product portfolio, being delivered a single piece assembled product, as shipping configuration the one set: 2pieces for D450mm, and two set:4pcs for D600mm 19" adjustable equipment mounting rails included.

PROline Series product range with optimal panel mounting size, and a variety range of accessories enclose the whole expectation of users.

PROline Series Wall Cabinets, has Nano Technology pre-treatment process, Bonderite/ Henkel Chemicals applied before Epoxy Powder coating application, 80-120 micron thickness, 500+hours of salt spray testing performed, in means of very high corrosion resistance.



**CONSTRUCTION DETAILS:**

Main Profile- Framework- Top/Bottom Cases:

Multi Folded Automated Bending technology applied corner profile system, provides a heavy duty structure results to high load capacity of: 100 kgs on wall.

Monoblock multi folded welded top and bottom cases 11 times bended resulted to a very sturdy/strong construction, tightly fixed to the framework with fixing hardware.

Top case has a ready Forced Ventilation (Fan Module) integration area. This area is with pre-punched slots even without Fan integration provides passive heat removal function via convection.

Top case integrated with a cable entry point with rubber edged sliding mechanism with w:145mmxd:70mm allows proper cabling insertion. The rubber edged mechanism works between 0 to 50mm slide out.

After inserting the cables, the rubber edged mechanism holds and fixes the cables in parallel preventing the cabinet from dust entry.

Access to enclosure- and Door / Panel Construction;

Front door is integrated with decorative 1,2mm thickness metal frames, full length smoked, shatterproof, antistatic, 4,0mm thickness glass with single point locking barrel lock.

There is Decorative Colored Trims charming the attraction of customers. With blue, green, red, grey, dark grey, or any other color requirement is applicable on these Trims.

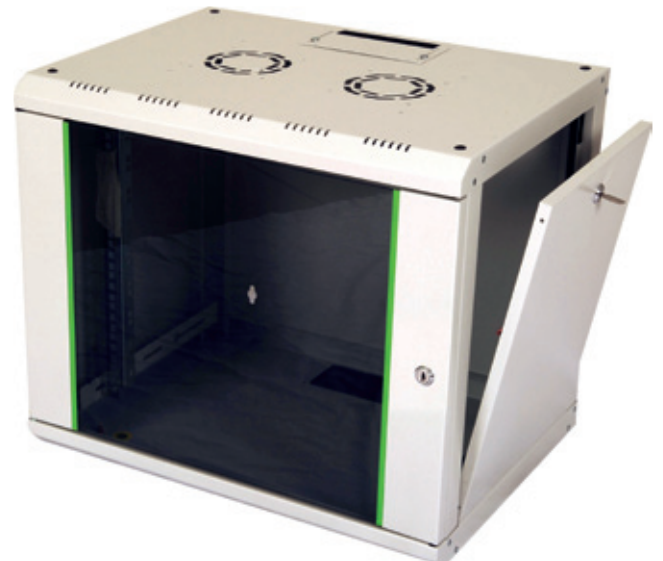
Front door opening direction is set right to left, but reversible to left to right at site with removing the hinge system. Hinge System is spring loaded easy operating version, which allows you to remove the whole front door from cabinet in seconds.

Side Panels are lockable and removable with barrel style lock, Multifolded bending technology with 4 fold bending provides the rigidity. Easy mechanical locking of panel to main frame with snap capture sytem allows easy attachment of panels and easy removal in seconds while installation in process.

Rear Panels are mechanically screwed to main module, which is Multifolded bending technology with 5 fold bending provided the rigidity. Rear Panel can be used for wall fixing and drilling pattern.

Bottom case and Rear Panel integrated with PVC gland plates.

Once needed gland plate on bottom and rubber edged sliding mechanism on top could be replacing each other on site





# 19" PROline Wall Mounting Cabinets F A M I L Y

## 19" Rail Features;

19" rails of Lande PROline Series Wall cabinet are with automated silk-screen U numbering, depends on size 1U to 20U, same from top to bottom or bottom to top results to same U height selection. No matter from where you have started counting. 19" rails are 4 fold bending surfaces, 1,5mm thickness provides the high load capacities. The 19" rails are made of steel with 8-12 micron zinc plating for corrosion resistance.

19" rails of Lande PROline are adjustable in depth.

For D450mm Cabinet 1set=2pcs Front attached Rails included in shipping configuration.

For D600mm Cabinet 2sets=4pcs Front and Rear attached Rails included in shipping configuration

**All design features provide 3 way access to your enclosure and equipments, easy to reach to enclosure and equipments for all infrastructure installations and maintenance needs.**

## ADDITIONAL FEATURES:

PROline Wall Cabinets has a mechanically locked and screwed rear panel which is with Multifolded bending technology and this with 5 folds bending provides the rigidity and high load capacities.

The panel can be used as wall fixing pattern on wall. This feature provides cost efficiency at site applications where a heavy enclosure to be fixed to wall. At least 2 technicians needed in standard. Lande PROline cabinets are applicable with one technician at site only.

First the rear panel to be placed on wall for marking purposes, then drilling to be operated, finally the rear panel to be fixed on wall without the main cabinet unit.

Finally the cabinet to be hanged over the rear panel. For safety reasons the screwing must be completed. Without even screws cabinet safely should stay on wall

Rear Panels are mechanically screwed to main module, which is Multifolded bending technology with 5 fold bending provided the rigidity.



# 19" PROline Wall Mounting Cabinets FAMILY

## ADDITIONAL FEATURES and OPTIONALS:

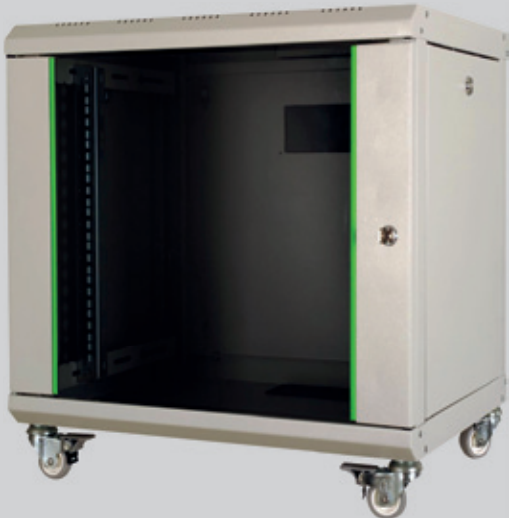
All Lande PROline Wall Cabinets are proper to integrate with caster group or Adjustable leveling feet group. This feature provides a possibility of using wall cabinets as for free standing purposes, especially where the narrow places are the case. As well integration with caster group or PVC adjustable leveling feet group provides a possibility to use the cabinet for underdesk applications.



Part numbers to order:

\*\*\* LN-ZMN-TKR-5020-XX for Caster Group Set

LN-ZMN-PNY-1040-XX for PVC Leveling Feet Group Set



Copper Welded Grounding Studs are default on each and every panel. In order to complete grounding continuity, following accessory could be added to the shipping configuration.

Grounding Cables Kit; 4pcs 40cm long, 2,5mm<sup>2</sup> cable diameter, yellow green grounding cables and fixing hardware also labels, LN-DGR-TPR-5L40-PR

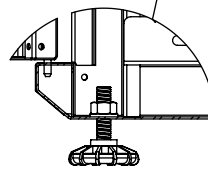
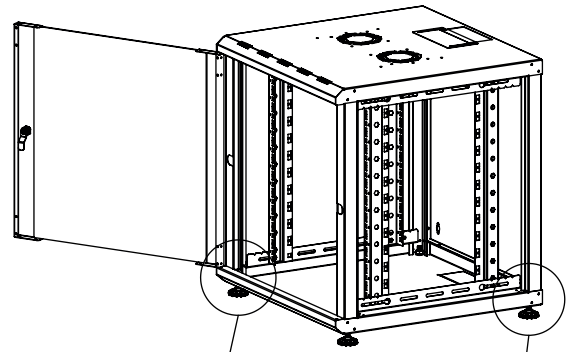
M6 Fixing Hardware Set for equipments are available;

Options as

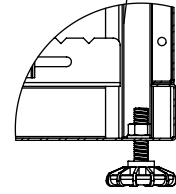
1set=8pcs LN-DGR-KFS-M608-XX

1set=20pcs LN-DGR-KFS-M620-XX

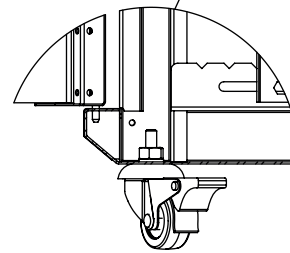
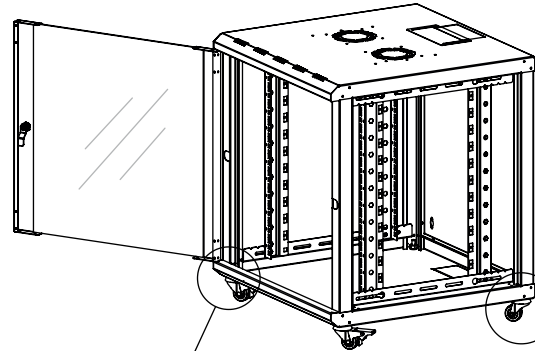
1set=50pcs LN-DGR-KFS-M650-XX



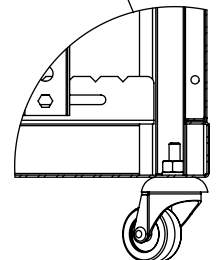
FEET



FEET



FRONT CASTER WITH BRAKE



REAR CASTER



Width=600mm  
Depth=450mm

Standard Heights:

5 different U heights:

07U, 09U, 12U, 16U, 20U

Standards, and Compliances:



**ISO 9001:2008**  
Quality Management System

EN 61587 -1:2012  
Mechanical Structures for  
Electronic Equipment

IEC 297-1, 19" mounting  
IEC 297-2 Overall cabinet dimensions



**CE conform to**  
EN 60950-1:2006 Information Technology  
Equipment – Safety – Part-1-  
General Requirement



**UL listed to**  
UL 2416, Outline of Investigation for  
Audio/Video, Information and  
Communication Technology Equipment  
Cabinet, Enclosure and Rack Systems; UL  
60950-1 and CSA C22.2 NO. 60950-1-07,  
Information Technology Equipment Safety  
Part 1: General Requirements



TSE conformity based on EN 61587 -1:2012

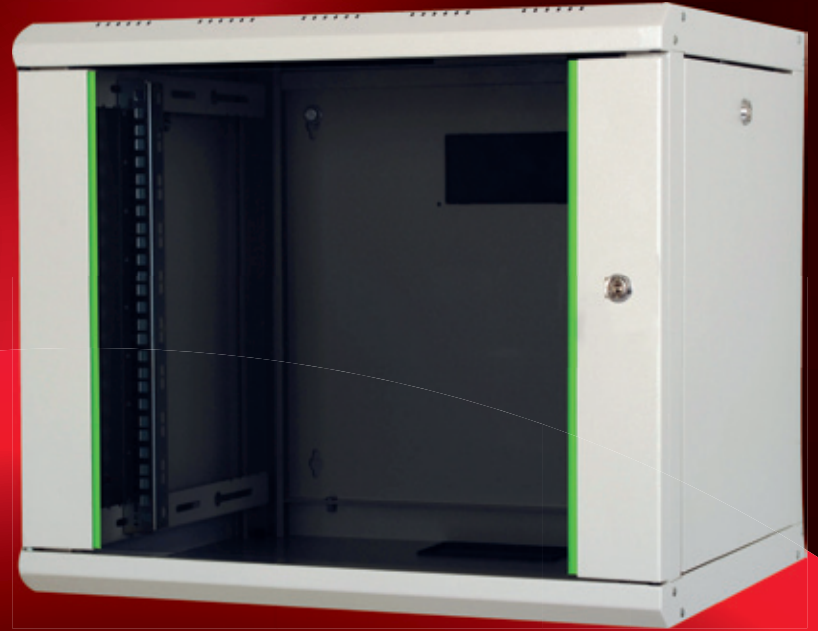


GOST R conformity



**Environment Friendly;**  
\* ISO 14001 Environmental Management  
System  
\* RoHS compliancy  
\* %100 Recyclable Material

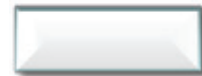
Load Capacity: 100 kgs.



PROline series Wall Mounting Networking Enclosures, with 19" w:600mm and d:450mm physical sizes, with max internal usable depth, and 5 different height, gives a wide selection chart for users.

All Lande PROline Wall cabinets are being delivered as a single piece pre-assembled enclosure, with standard factory settings.

Standard Colors:

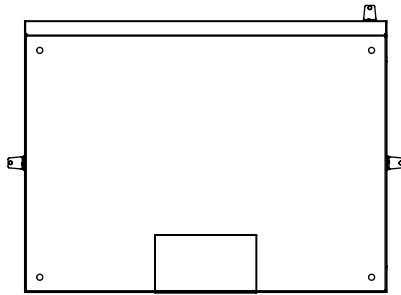


RAL 7035 Light Grey

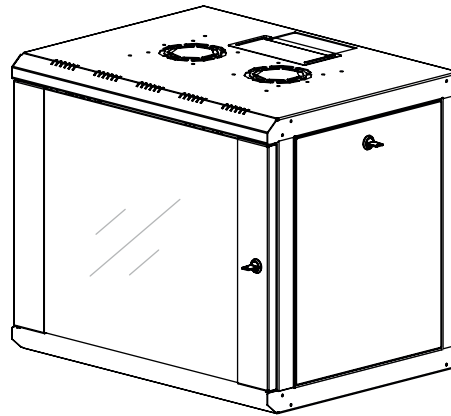


RAL 9005 Black

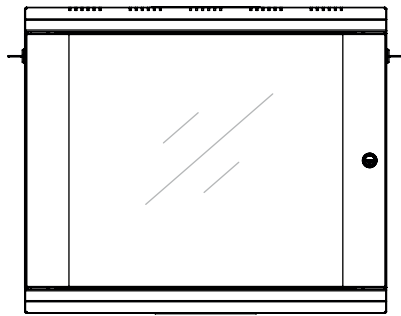
CONSTRUCTION  
DRAWING



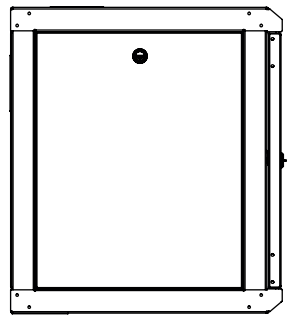
BOTTOM VIEW



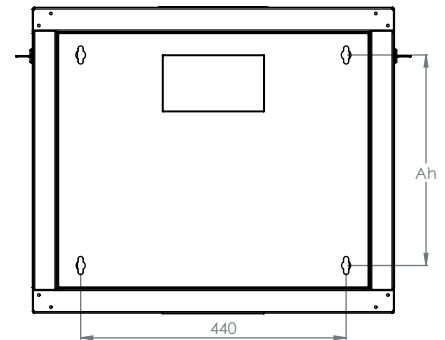
ISOMETRIC VIEW



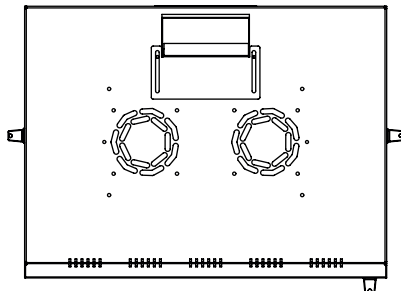
FRONT VIEW



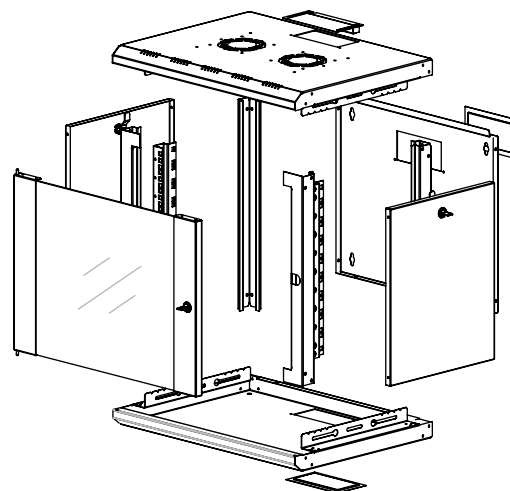
SIDE VIEW



REAR VIEW

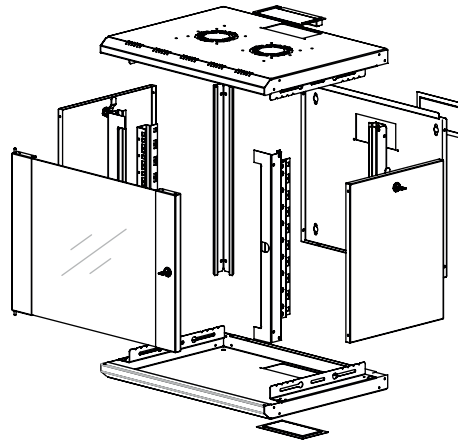


TOP VIEW

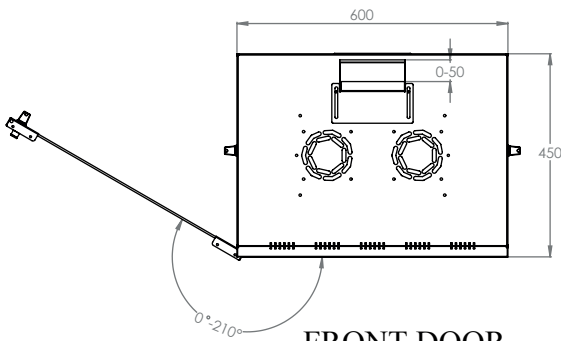


EXPLODED VIEW

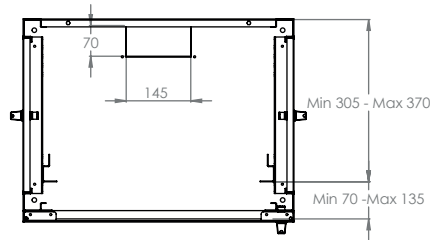
CONSTRUCTION  
DRAWING



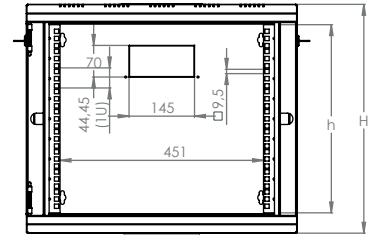
EXPLODED VIEW



FRONT DOOR  
OPENING ANGLE



MAX / MIN EQUIPMENT  
MOUNTING DISTANCE



DIMENSIONS IN  
WITDH AND HEIGHT

PROline Series Wall Mounting 19" Cabinets W=600mm D=450mm														
*Product Number	Product Description	Size WxDxH mm	h size in U	h in mm	**H mm, overall without feet and/or caster	***Ah Wall Mounting h mm	Width Overall mm	Width Rail to Rail	Depth Overall mm	****Depth Shipping Conf. Rail to Rear Panel mm	PACKING DIMENSIONS WxDxH mm	QTY IN PACKAGE	Standard NET Weight of product kgs	Gross Weight of Product kgs
LN-PR07U6045-CC	7U 19" Wall Mounting Cabinet W=600mm D=450mm	600x450x418	7U	311	418	260	600	19"	450	340	660x520x480	1	14,5	17
LN-PR09U6045-CC	9U 19" Wall Mounting Cabinet W=600mm D=450mm	600x450x505	9U	400	505	349	600	19"	450	340	660x520x550	1	17,6	20,1
LN-PR12U6045-CC	12U 19" Wall Mounting Cabinet W=600mm D=450mm	600x450x640	12U	533	640	482	600	19"	450	340	660x520x690	1	22,5	25
LN-PR16U6045-CC	16U 19" Wall Mounting Cabinet W=600mm D=450mm	600x450x818	16U	711	818	660	600	19"	450	340	660x520x870	1	29	32
LN-PR20U6045-CC	20U 19" Wall Mounting Cabinet W=600mm D=450mm	600x450x996	20U	889	996	838	600	19"	450	340	660x520x1050	1	35	38

\*CC= LG for Light Grey RAL 7035 & BL for Black RAL 9005 for customers to define while ordering.

\*\* See overall Height information without feet and or Caster from Drawings.

\*\*\* See Ah Rear Panel Wall Fixing Height between holes for 7,9,12,16,20 U on Drawings and above Chart, Width is fixed 440mm.

\*\*\*\*See min and max Adjustable depth variations on drawings.



19" PROline Wall Mounting Cabinets  
**F A M I L Y**

Width:600 mm.  
Depth:600 mm.

Width=600mm  
Depth=600mm

Standard Heights:

5 different U heights:

07U, 09U, 12U, 16U, 20U

Standards, and Compliances:



**ISO 9001:2008**  
Quality Management System

EN 61587 -1:2012  
Mechanical Structures for  
Electronic Equipment

IEC 297-1, 19" mounting  
IEC 297-2 Overall cabinet dimentions



**CE conform to**  
EN 60950-1:2006 Information Technology  
Equipment – Safety – Part-1-  
General Requirement



**UL listed to**  
UL 2416, Outline of Investigation for  
Audio/Video, Information and  
Communication Technology Equipment  
Cabinet, Enclosure and Rack Systems; UL  
60950-1 and CSA C22.2 NO. 60950-1-07,  
Information Technology Equipment Safety  
Part 1: General Requirements



TSE conformity based on EN 61587 -1:2012



GOST R conformity



**Environment Friendly;**  
\* **ISO 14001** Environmental Management  
System  
\* RoHS compliancy  
\* %100 Recyclable Material

**Load Capacity: 100 kgs.**



PROline series Wall Mounting Networking Enclosures, with 19" w:600mm and d:600mm physical sizes, with max internal usable depth, and 5 different height, gives a wide selection chart for users.

All Lande PROline Wall cabinets are being delivered as a single piece pre-assembled enclosure, with standard factory settings.

**Standard Colors:**



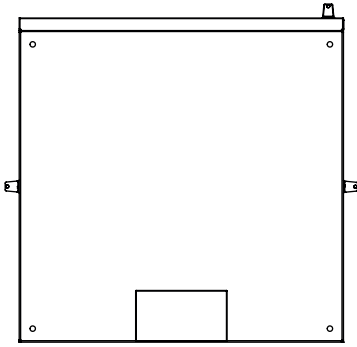
RAL 7035 Light Grey



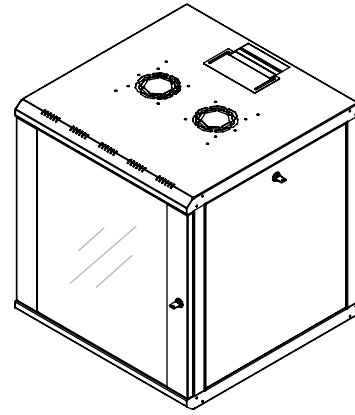
RAL 9005 Black



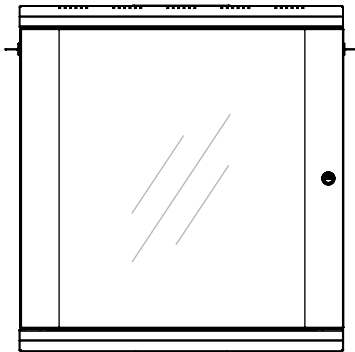
CONSTRUCTION  
DRAWING



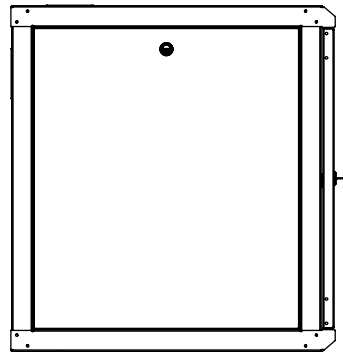
BOTTOM VIEW



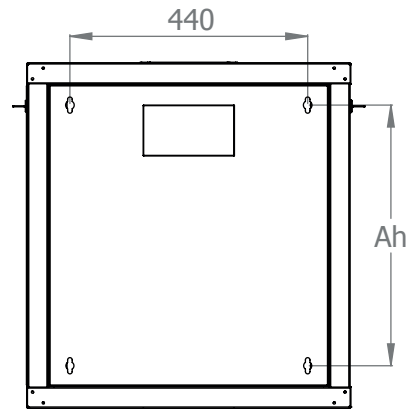
ISOMETRIC VIEW



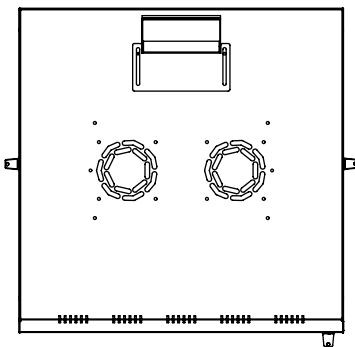
FRONT VIEW



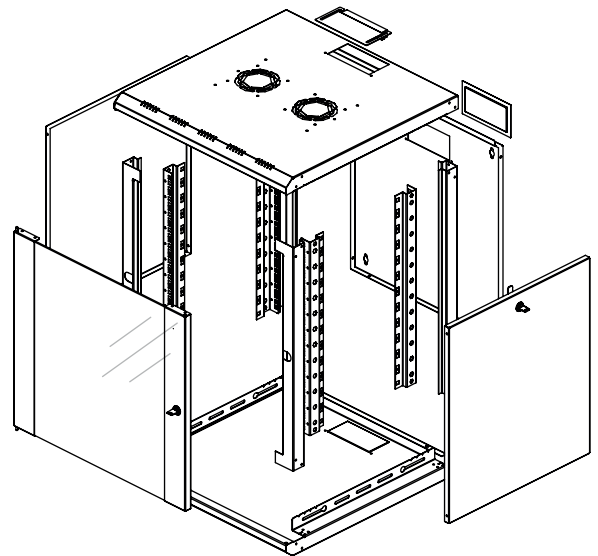
SIDE VIEW



REAR VIEW

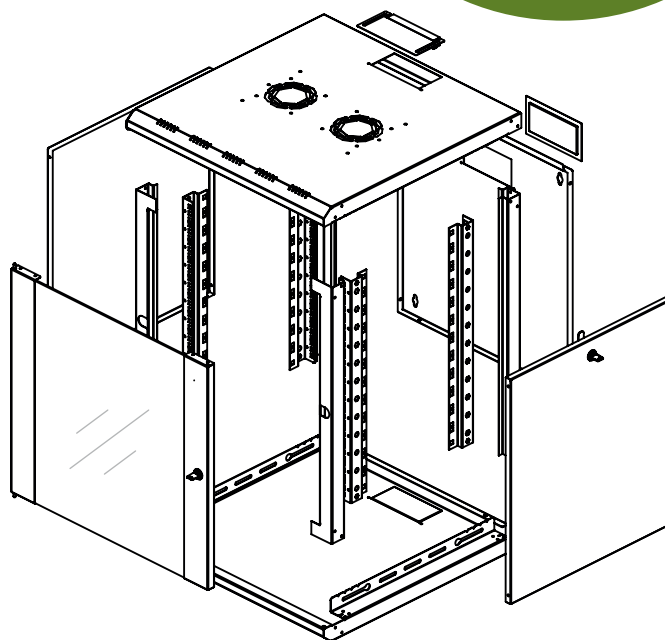


TOP VIEW

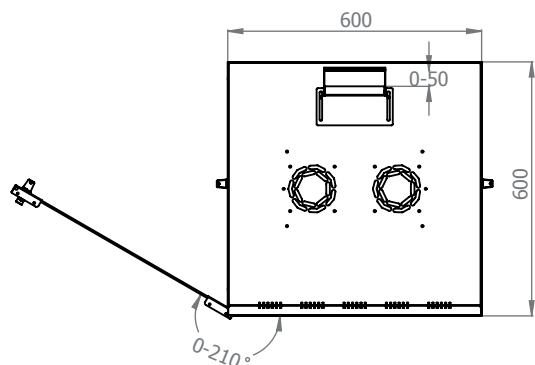


EXPLODED VIEW

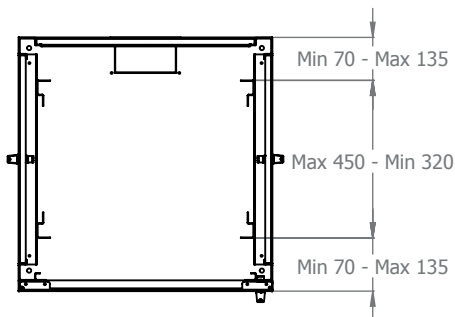
CONSTRUCTION  
DRAWING



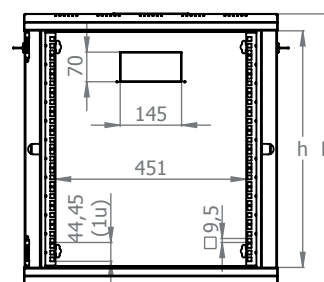
EXPLODED VIEW



FRONTDOOR  
OPENING ANGLE



MAX / MIN EQUIPMENT  
MOUNTING DISTANCE



DIMENSIONS IN  
WIDTH AND HEIGHT

PROline Series Wall Mounting 19" Cabinets W=600mm D=600mm

*Product Number	Product Description	Size WxDXH mm	h size in U	h in mm	**H mm, overall without feet and/or caster	***Ah Wall Mounting h mm	Width Overall mm	Width Rail to Rail	Depth Overall mm	****Depth Shipping Conf. Rail to Rail mm	PACKING DIMENSIONS WxDXH mm	QTY IN PACKAGE	Standard NET Weight of product kgs	Gross Weight of Product kgs
LN-PR07U6060-CC	7U 19" Wall Mounting Cabinet W=600mm D=600mm	600x600x418	7U	311	418	260	600	19"	600	400	650x650x480	1	18	21
LN-PR09U6060-CC	9U 19" Wall Mounting Cabinet W=600mm D=600mm	600x600x505	9U	400	505	349	600	19"	600	400	650x650x550	1	22	25
LN-PR12U6060-CC	12U 19" Wall Mounting Cabinet W=600mm D=600mm	600x600x640	12U	533	640	482	600	19"	600	400	650x650x690	1	28	31
LN-PR16U6060-CC	16U 19" Wall Mounting Cabinet W=600mm D=600mm	600x600x818	16U	711	818	660	600	19"	600	400	650x650x870	1	36	39,5
LN-PR20U6060-CC	20U 19" Wall Mounting Cabinet W=600mm D=600mm	600x600x996	20U	889	996	838	600	19"	600	400	650x650x1050	1	43	46,5

\*CC= LG for Light Grey RAL 7035 & BL for Black RAL 9005 for customers to define while ordering.

\*\* See overall Height information without feet and or Caster from Drawings .

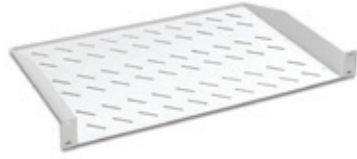
\*\*\* See Ah Rear Panel Wall Fixing Height between holes for 7,9,12,16,20 U on Drawings and above Chart, Width is fixed 440mm.

\*\*\*\*See min and max Adjustable depth variations on drawings.



# 19" PROline Wall Mounting Cabinets Family

## Frequent Used Accesories



LN-RAF-RMO-1U25-CC



LN-RAF-RMO-2U35-CC

The assembly should be frontal assembly to the equipment mounting rails. For allowing the convection of heated air inside cabinets, the shelves are structured with ventilation slots. Supply is in RAL 9005 Black and RAL 7035 Light Grey colors. From Steel Material, with high technology bending strengthening accessory, Load capacity 30 kg

### Rack Mount Shelves

PROline Wall Mounting Cabinet w:600xd:450	PROline Wall Mounting Cabinet w:600xd:600
LN-RAF-RMO-1U25-CC	LN-RAF-RMO-1U25-CC
LN-RAF-RMO-2U35-CC	LN-RAF-RMO-2U35-CC

\*\*CC is color code: please insert BL for Black and LG for Light Grey on the part numbers while creating order.

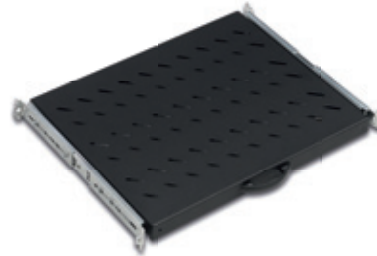


Fixed Shelves, 4 point fixing. For allowing the convection of heated air inside cabinets, the shelves are structured with ventilation slots. Supply is in RAL 9005 Black and RAL 7035 Light Grey colors. From Steel Material, with high technology bending strengthening accessory, Load capacity 50 kg

### Fixed Shelf 4 point Fixing

PROline Wall Mounting Cabinet w:600xd:450	PROline Wall Mounting Cabinet w:600xd:600
NOT APPLICABLE	LN-RAF-SBT-D600-PR-CC

\*\*CC is color code: please insert BL for Black and LG for Light Grey on the part numbers while creating order.



Sliding Shelves, 4 point fixing, Compatible with all brand cabinets Multivendor. Adjustable brackets at depth. For allowing the convection of heated air inside cabinets, the shelves are structured with ventilation slots. Supply is in RAL 9005 Black and RAL 7035 Light Grey colors. From Steel Material, with high technology bending strengthening accessory, Load capacity 50 kg

### Sliding Shelves

PROline Wall Mounting Cabinet w:600xd:450	PROline Wall Mounting Cabinet w:600xd:600
NOT APPLICABLE	LN-RAF-HRK-D600-CC

\*\*CC is color code: please insert BL for Black and LG for Light Grey on the part numbers while creating order.



# 19" PROline Wall Mounting Cabinets Family

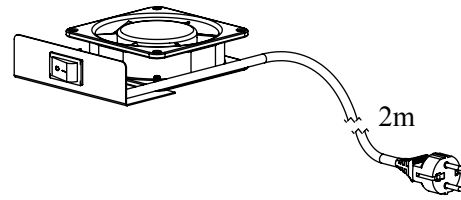
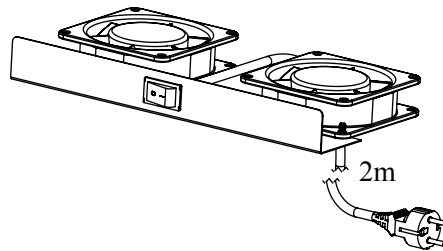
## Frequent Used Accesories



Fan Modules for wall Mounting, Ready pre-installed, plug-in and run style , with on/off switches or with analog thermostat and plugs. Each Fan has an air flow capacity of 2,3-3 cbm/min. Fan Technical data : 18/17 W, 220/240 VAC, 50/60 Hz, 013/0,11 A,2300/3000 rpm 42 dB noise level, Fan life: 10.000 hours

	PROline Wall Mounting Cabinet w:600xd:450	PROline Wall Mounting Cabinet w:600xd:600
1 fan Units on/off switched	LN-FAN-ONF-1FWM-CC	LN-FAN-ONF-1FWM-CC
1 fan Units with Thermostatic control Unit	LN-FAN-THM-1FWM-CC	LN-FAN-THM-1FWM-CC
2 fan Units on/off switched	LN-FAN-ONF-2FWM-CC	LN-FAN-ONF-2FWM-CC
2 fan Units with Thermostatic control Unit	LN-FAN-THM-2FWM-CC	LN-FAN-THM-2FWM-CC

\*\*CC is color code: please insert BL for Black and LG for Light Grey on the part numbers while creating order.



Fan Modules for wall Mounting, ready pre-installed, plug-in and run style , with on/off switches and plugs. Each Fan has an air flow capacity of 2,3-3 cbm/min. Fan Technical data : 18/17 W, 220/240 VAC, 50/60 Hz, 013/0,11 A,2300/3000 rpm 42 - 47 dB noise level

	PROline Wall Mounting Cabinet w:600xd:450	PROline Wall Mounting Cabinet w:600xd:600
1 fan Units on/off switched- Sleeve Bearing, Direct Assembly to roof of cabinet	LN-FAN-EC-1FPR-CC	LN-FAN-EC-1FPR-CC
2 fan Units on/off switched- Sleeve Bearing, Direct Assembly to roof of cabinet	LN-FAN-EC-2FPR-CC	LN-FAN-EC-2FPR-CC
1 fan Units on/off switched- Ball Bearing, Direct Assembly to roof of cabinet	LN-FAN-BB-1FWM-CC	LN-FAN-BB-1FWM-CC
2 fan Units on/off switched- Ball Bearing, Direct Assembly to roof of cabinet	LN-FAN-BB-2FWM-CC	LN-FAN-BB-2FWM-CC

\*\*CC is color code: please insert BL for Black and LG for Light Grey on the part numbers while creating order.



Adjustable height leveling feet group, PVC , M10 screw, single point connection, Each foot has 250kg of load capacity. 360 degree turning on y axis , 2 pcs with break, 2 pcs w/o break, single point fixing, each caster has 100kg of load capacity.

	PROline Wall Mounting Cabinet w:600xd:450	PROline Wall Mounting Cabinet w:600xd:600
PVC Leveling Feet Group 1 set=4 pcs, M10 Load Capacity 250kgs per feet	LN-ZMN-PNY-1040-XX	LN-ZMN-PNY-1040-XX
Caster Group 2 w/breakes 2 wo/breakes	LN-ZMN-TKR-5020-XX	LN-ZMN-TKR-5020-XX

# 19" PROline Wall Mounting Cabinets Family

## Frequent Used Accesorries



M6 Steel caged Nut Set, Screw and Nuts included, 8pcs set , 20pcs set and 50 pcs set.  
Grounding Set, 4pcsx4mm diameterx 40cm long yellow/green wires,for basic grounding of cabinet chasis and panels.

	PROline Wall Mounting Cabinet w:600xd:450	PROline Wall Mounting Cabinet w:600xd:600
Mounting Hardware, Fixing M6 Cage nut set of 8	LN-DGR-KFS-M608-XX	LN-DGR-KFS-M608-XX
Mounting Hardware, Fixing M6 Cage nut set of 20	LN-DGR-KFS-M620-XX	LN-DGR-KFS-M620-XX
Mounting Hardware, Fixing M6 Cage nut set of 50	LN-DGR-KFS-M650-XX	LN-DGR-KFS-M650-XX
Grounding Cable Set, 4pcsx4mm diameterx 40cm long yellow/green wires, for basic grounding of cabinet chasis and panels	LN-DGR-TPR-5L40-PR	LN-DGR-TPR-5L40-PR



Horizontal Cable Management panels are for the cable management inside the cabinet, for intend of carrying the cables into the final connection point. 1U 19" with 5 methalic rings. Supply is in RAL 9005 Black and RAL 7035 Light Grey colors.

	PROline Wall Mounting Cabinet w:600xd:450	PROline Wall Mounting Cabinet w:600xd:600
Horizontal Cable Management Panel 19" 1U 5 rings	LN-KDG-YKD-1UKN-CC	LN-KDG-YKD-1UKN-CC

\*\*CC is color code: please insert BL for Black and LG for Light Grey on the part numbers while creating order.



PVC or Aluminium housing, different types and featured PDUs are available such as. DIN49440 Schuko types, IEC320 C13 Types, BS1363 Uk Socket Tpes, lighted on/off switched, 16A cct Breaker type, Surge Protection types. A wide accessory portfolio is available, possible to configurate special and spesific product models with different socket types and qtys for projects, most commonly used for this range is selected as below, please find other various design PDUS in our main catalogues or ask for your spesific needs.

	PROline Wall Mounting Cabinet w:600xd:450	PROline Wall Mounting Cabinet w:600xd:600
PDU 6 way Schuko with 1x16A cct breaker Aluminium Housing	LN-PRZ-SGT-1U6P-SC	LN-PRZ-SGT-1U6P-SC
PDU Economic 6 way Schuko on/off switch PVC Housing	LN-PRZ-EKO-1U6P-SC	LN-PRZ-EKO-1U6P-SC

# 19" PROline Wall Mounting Cabinets Family

## Frequent Used Accesories

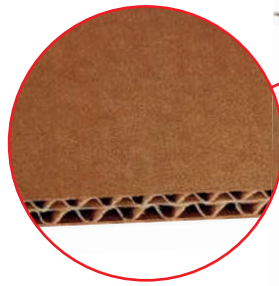
**PROline** series Wall Mounting Networking Enclosures have a strong packing therefore from factory to destination warehouses, The Transport via international transport vehicles is very secure. From Central Warehouses The Transport to the sites or reseller's locations is again not a problem via Cargo, Courier companies due to strong packing.

- 1- Product is Shrunk in Nylon Films
- 2- Polystyrene corner protection 20mm thickness 8 pcs used in all corners
- 3- High Density KSSST 7mm thickness Dark Brown Cardboard Box packed
- 4- Strong Stripping Black color on the carboard packing
- 5- Protection and Warning labels in 16 Languages on the box

Doppel and Polystyrene Cardboard Box	
Doppel Type	B+C Wave
Doppel Size	7 mm ( ±0,5)
Doppel Quality	KSSST ( K:Kraft S:Straw T:Test Liner )
Doppel Colour	Dark Brown
Polystyrene	Polystyrene 20mm Thickness Corner Support
PVC Stripes	Stripping on the Carboard Packing



Closed Box with Transport Stripes



KSSST ( K:Kraft S:Straw T:Test Liner )  
Cross Section



Polystyrene Corner Protection



Open Box Showing Details of Packing



**HEAD OFFICE**

Safa Mah. Atatürk Cad. Yağız Sok. No:4  
Yenidoğan - Sancaktepe - İstanbul / TURKEY  
**Tel :** +90 216 312 2653 pbx  
**Fax:** +90 216 312 0909

**FACTORY**

20. Cadde No: 14 Eskişehir Organize Sanayi  
Bölgesi 26110 Eskişehir / TURKEY  
**Tel:** +90 222 236 2466 pbx  
**Fax:** +90 222 236 1353

